

# MS-CONNECT 210

## Connectivity Solution with Ethernet



The MS-Connect 210 simplifies connectivity of Omron Microscan readers in industrial applications. This factory floor ready wiring box features a vivid display, convenient access holes for easy wire routing, and multiple connectivity options including Ethernet protocols.

The MS-Connect 210 is the ideal Omron Microscan reader accessory for any users seeking an easy connectivity option.

### MS-Connect 210: Easy Integration

- For fast installation and easy maintenance of any Omron Microscan scanner or imager
- IP65 rated industrial design
- Better organization of cables and wiring on factory floor
- Protocol conversion allows connection via Ethernet

Simple Connectivity Solution for:



Omron Microscan laser barcode scanners



Omron Microscan 2D barcode imagers

For more information on this product, visit [www.microscan.com](http://www.microscan.com).

#### Ethernet Connectivity

Connect to a host using serial or Ethernet connection. Ethernet TCP/IP and EtherNet/IP protocols are available out of the box.

#### Informative Display

Providing two lines of decoded information, the optional display is ultra-bright and easy to read.

#### I/O Indicators

The front panel on the MS-Connect 210 provides visual confirmation of performance. Multiple colors are used for easy recognition.

#### Relay Modules

The MS-Connect 210 includes slots for optional relay modules to allow for greater use of external devices including light stacks.

#### Practical Design

Four access holes located on the box allow users quick, easy, and clean wiring of inputs and outputs. Mounting is simplified with four accessible through-holes for mounting screws. An optional plate is available for easy DIN rail mounting.

#### Clear Wiring Path

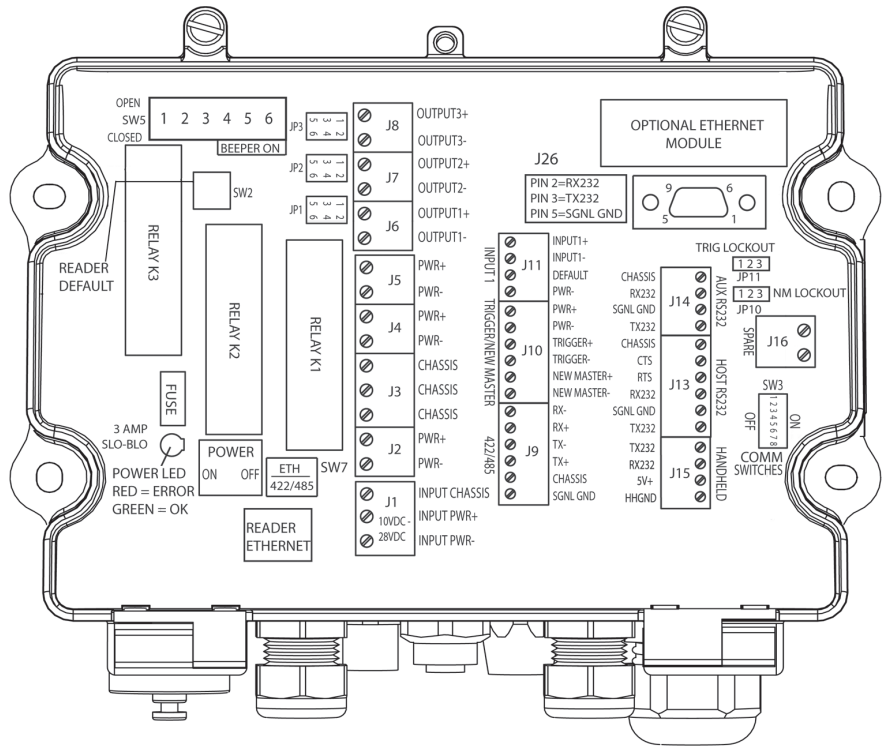
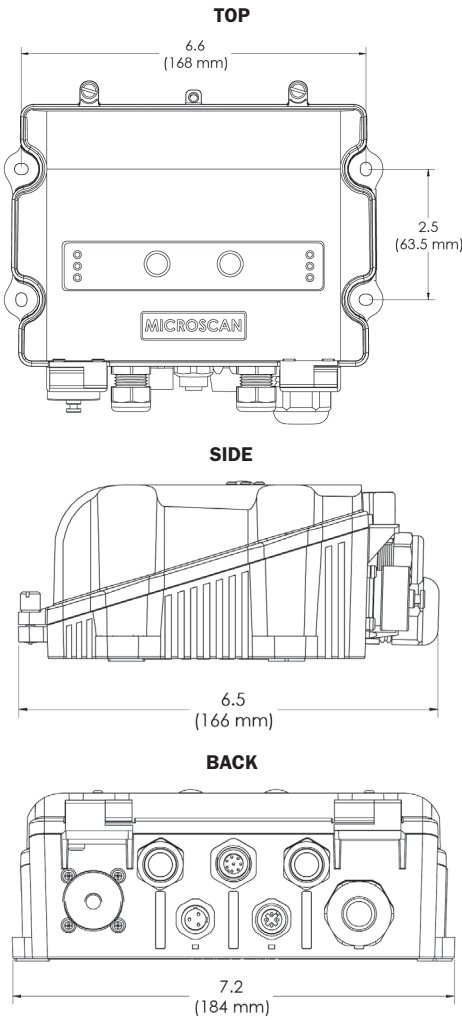
Wiring to the appropriate terminal block is easily accomplished, due to the access holes and a clear area located between the terminal rows.

#### Additional Power

The MS-Connect 210 includes the option to power three additional readers.

# MS-CONNECT 210 SPECIFICATIONS AND OPTIONS

## MS-CONNECT 210 INTERNAL VIEW



### MECHANICAL

**Length:** 7.3" (184 mm) **Width:** 6.3" (160 mm)  
**Height:** 2.8" (71 mm) **Weight:** 1.6 lb. (726 g)

### ENVIRONMENTAL

**Enclosure:** IP65  
**Humidity:** up to 90% (non-condensing)  
**Operating Temperature:** 0° to 50° C (32° to 122°F)  
**Storage Temperature:** -30° to 70° C (-22° to 158°F)

### ELECTRICAL

**Power:** 10-28 V

### PLUGGABLE RELAY MODULE

K1	Pluggable Relay Module
K2	Pluggable Relay Module
K3	Pluggable Relay Module

### INPUTS/OUTPUTS

J1	Input Power 10-28 VDC
J2	Output Power 10-28 VDC
J3	Chassis
J4	Output Power 10-28 VDC
J5	Output Power 10-28 VDC
J6	Output 1
J7	Output 2
J8	Output 3
J9	RS 422/485
J10	Trigger/New Master
J11	Input 1
J13	Host RS-232
J14	Aux RS 232
J15	MS-Q 5 VDC
J16	Spare

### CE MARK

**General Immunity for Heavy Industry:**  
EN 55024: 1998 ITE Immunity Standard  
EN 61000-6-2:2001

### EMISSIONS

EN 55022:1998 Class A

### INDICATORS

**Digital Display:** 2X20 Alphanumeric characters  
**Beeper:** Configurable LEDs: I/O status, Serial

### TERMINAL BLOCKS MAX RATING

**J1-J8 Wire Range:** 26 to 14 AWG.  
**Wire Strip Length:** 11 mm  
**J9-J15 Wire Range:** 22 to 18 AWG.  
**Wire Strip Length:** 5 mm  
**J2-J5 Max Voltage:** 28 VDC. **Max Current:** 4 Amps  
**J6-J8 Max Voltage:** 240 VAC. **Max Current:** 3 Amps

### COMMUNICATION PROTOCOLS

**Standard Interface:** RS-232, RS-422

### ACCESS CGB

**Small:** Access diameter range 0.18" to 0.39"  
(4.5 to 10 mm)  
**Large:** Access diameter range 0.2" to 0.5"  
(5 to 12.7 mm)

### JUMPERS

JP1	Relay Output 1 Options
JP2	Relay Output 2 Options
JP3	Relay Output 3 Options
JP 11	Trigger Button Lockout
JP 10	New Master Button Lockout

### SWITCHES

SW1	On/Off
SW2	Reader Default
SW3	Display Comm Switches
SW5	Reader Output Indicators
SW7	Reader Ethernet Option

### CONNECTORS

**Reader:** M23 19-pin circular socket connector  
**Trigger:** 4-pin MicroChange socket  
**Power:** 3-pin MicroChange plug

### OTHER ACCESSORIES

**Type:** DIN rail kit, Relay modules  
**Industrial Ethernet Connector:** 8-pin M12 MicroChange socket

### QMS CERTIFICATION

[www.microscan.com/quality](http://www.microscan.com/quality)

©2018 Omron Microscan Systems, Inc. SP022J-EN-0218

Read Range and other performance data is determined using high quality Grade A symbols per ISO/IEC 15415 and ISO/IEC 15416 in a 25° C environment. For application-specific Read Range results, testing should be performed with symbols used in the actual application. Omron Microscan Applications Engineering is available to assist with evaluations. Results may vary depending on symbol quality. **Warranty**—For current warranty information on this product, please visit [www.microscan.com/warranty](http://www.microscan.com/warranty).

**OMRON**  
**MICROSCAN**  
[www.microscan.com](http://www.microscan.com)