

QX-1

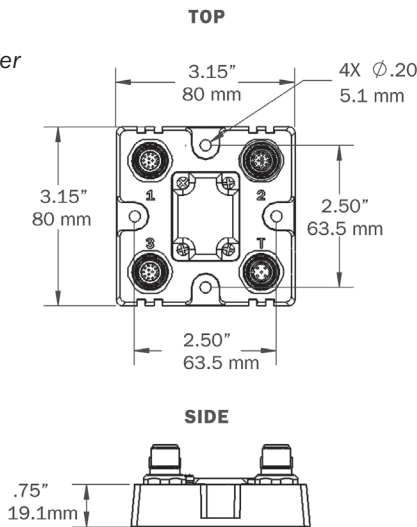


QX-1: At a Glance

- M12 Ultra-Lock Connectors
- Switches for Power and Trigger
- LED Power Indicators
- IP65 Enclosure
- DIN Rail Mounting Option

MECHANICAL

- Depth:** 3.15" (80 mm)
- Width:** 3.15" (80 mm)
- Height:** 0.75" (19.1 mm)
- Weight:** 7-oz. (200 g)



Quick Connect Interface Device

The QX-1 interface device distributes power, communications, and I/O, and simplifies installation of QX Platform products.

Featuring the Quick Connect system, this device includes four M12 Ultra-Lock™ connectors which provide quick and easy network setup and deployment, as well as flexible mounting options. With Quick Connect technology and IP65 industrial sealing, the QX-1 is a powerful accessory to complement the QX Platform.

PIN ASSIGNMENTS

Connectors 1 and 3 are 12-pin plugs, and Connector 2 is a 12-pin socket. All three connectors can be assigned to bus power and data. The connectors on the QX-1 interface device physically mirror those on the QX products, but they do not have explicit pin assignments. The QX-1 connectors take on the communications and power roles that are assigned to them.

Note: Detailed connector pinout information is available in QX Product User's Manuals.

CONNECTOR T

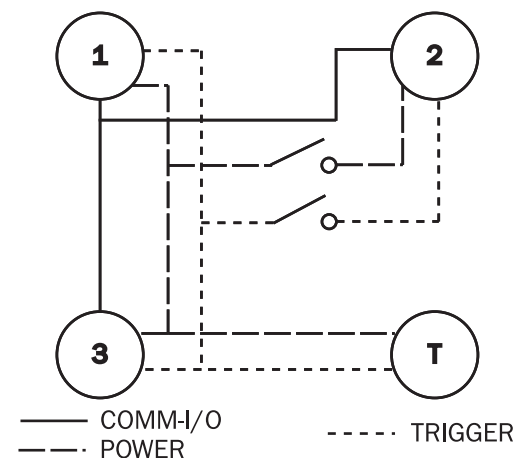
M12 4-pin socket

Pin Assignment

1	+ 10-28V
2	Trig/NM/Input 1/Common
3	Ground
4	Trigger



QX-1 WIRING DIAGRAM



QMS CERTIFICATION

www.microscan.com/quality

©2018 Omron Microscan Systems, Inc. SP021H-EN-0218

Warranty—For current warranty information on this product, please visit www.microscan.com/warranty.

For more information on this product, visit www.microscan.com.

OMRON
MICROSCAN