

USB 2.0 Model



Description USB2.0 CCD Camera.

Features Compact, robust and easy to attach Wide range from VGA to UXGA.



Product Lineup

Resolution		VGA	XGA	1.3M	SXGA	UXGA
Model No.	Monochrome	STC-MB33USB	STC-MB83USB	STC-MB133USB	STC-MB152USB	STC-MB202USB
	Color	STC-MC33USB	STC-MC83USB	STC-MC133USB	STC-MC152USB	STC-MC202USB
Frame Rate		90fps	30fps	22fps	19fps	15fps
Effective Pixels		640 x 480	1024 x 768	1280 x 960	1360 x 1024	1600 x 1200
Sensor Size		1/3"	1/3"	1/3"	1/2"	1/1.8"
Cell Size (H x V, μm)		7.4 x 7.4	4.65 x 4.65	3.75 x 3.75	4.65 x 4.65	4.4 x 4.4
Imaging Area (H x V x D, mm)		3.6 x 4.8 x 6	3.6 x 4.8 x 6	3.6 x 4.8 x 6	4.8 x 6.4 x 8	5.4 x 7.1 x 8.9
Sensor	Monochrome	ICX424AL	ICX204AL	ICX445AL	ICX205AL	ICX274AL
	Color	ICX424AQ	ICX204AK	ICX445AQ	ICX205AK	ICX274AQ
Lens Mount		CS-Mount	CS-Mount	CS-Mount	C-Mount	C-Mount

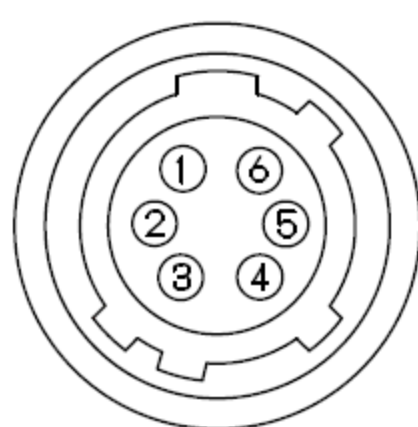
External Connector Specifications

External Link Connectors	USB: USB Mini-B type, I/O signals: HR10A-7R-6PB (Hirose) or equivalent
--------------------------	--

Pin Assignments

I/O Signal Connector

Pin No.	Signal Name	I/O	Specifications	Default Setting
1	GND for I/O signal	-	IO GND	-
2	Output 2	OUT	Opt.Isolated	Function disabled
3	Output 1	OUT	Opt.Isolated	Function disabled
4	Input 2	IN	Opt.Isolated	Function disabled
5	Input 1	IN	Opt.Isolated	Function disabled
6	Power input for I/O signal	-	IO VCC +3to+26.4Vdc	-



Main Unit rear side

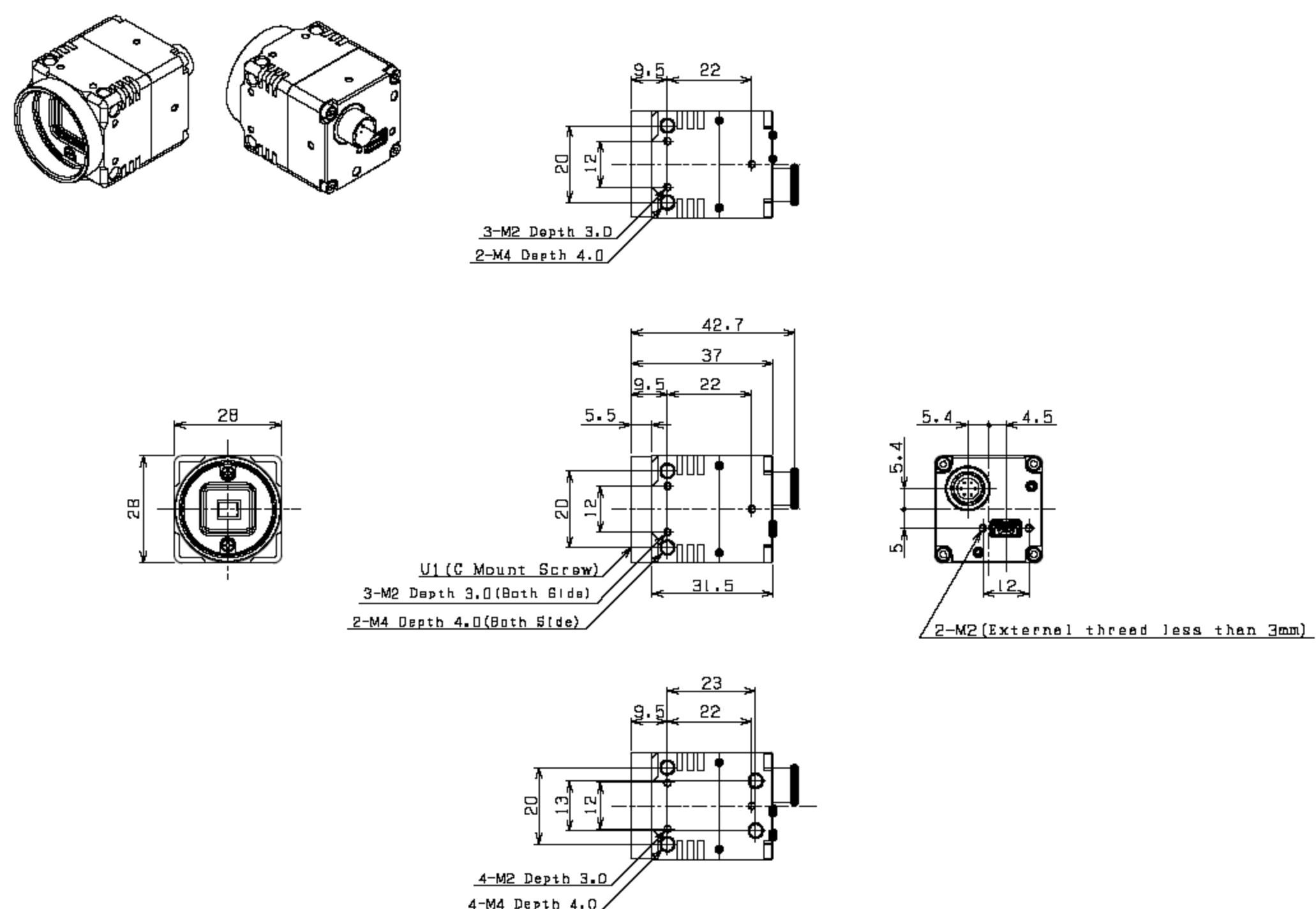
The above signals are electrically insulated from the inside of the camera.

* Please use an HR10A-7P-6S (Hirose) equivalent on the cable-side.

External View

[Downloads](#)

2.1 STC-MB33USB/MC33USB/MB83USB/MC83USB/MB133USB/MC133USB



2.3 STC-MB152USB/MC152USB/MB202USB/MC202USB

