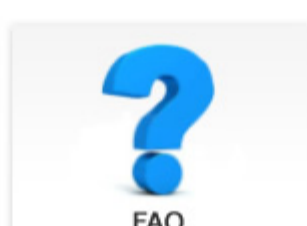
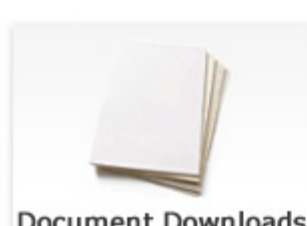
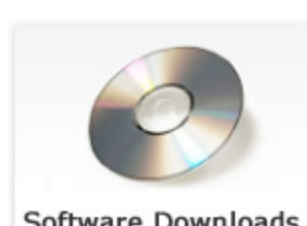


TV Format Color Camera N/P63S Series



Outline 1/3" 0.4 Mega pixel TV format color CCD camera

Features Choose from a lineup of 20 models with different cases, board configurations and functionality including flicker and backlight correction modes



Product Lineup

Resolution		0.4 Mega pixels	0.4 Mega pixels
Model No.	Monochrome	-	-
	Color	STC-N63S	STC-P63S
Video Format		NTSC	PAL
Effective Pixels		768 x 494	752 x 582
Sensor Size		1/3"	1/3"
Cell Size (H x V, μm)		7.40 x 6.35	7.40 x 6.50
Imaging Area (H x V x D, mm)		3.7 x 4.9 x 6.1	4.3 x 4.9 x 6.5
Sensor	Monochrome	-	-
	Color	ICX638BKA	ICX639BKA
Lens Mount		CS-Mount	CS-Mount

* Please select the model name from the following lineup chart when ordering

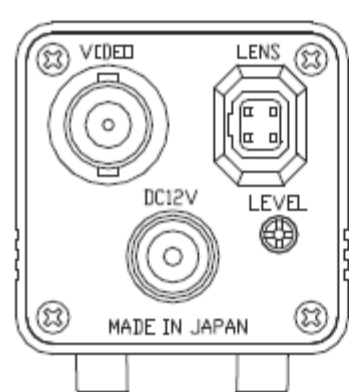
Lineup chart

Configuration	Model No.		Function				
	NTSC	PAL	Mount	White Balance	Video Output	Lens Iris	Communication Functions
Case	STC-N63SBJ	STC-P63SBJ	CS-Mount	AWB	BNC	DC IRIS	-
	STC-N63SBT	STC-P63SBT					
	STC-N63SCJ	STC-P63SCJ		AWB / PSW	BNC · Y/C	-	
	STC-N63SCT	STC-P63SCT					
	STC-N63SCC	STC-P63SCC					
Board	STC-N63SCS	STC-P63SCS	Fixed Lens		BNC	-	
	STC-N63SBCS	STC-P63SBCS			BNC · Y/C	-	
	STC-N63SCCS	STC-P63SCCS			BNC	-	
	STC-N63SL	STC-P63SL			BNC · Y/C	-	
	STC-N63SCL	STC-P63SCL			BNC · Y/C	-	

External View

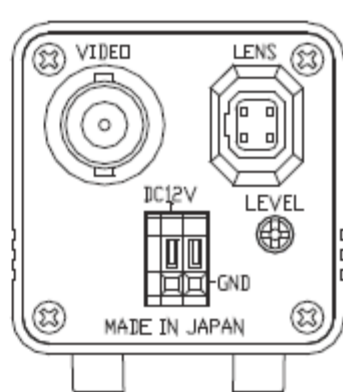
[Downloads](#)

[Case Type Connector Specifications]



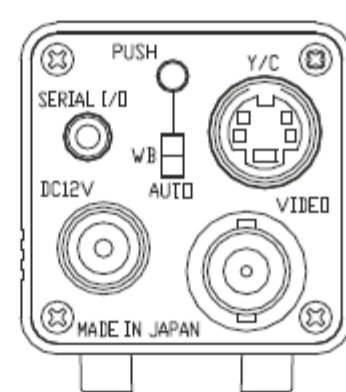
SBJ Type

- BNC connector
- Jack for AC adapter
- DC iris connector



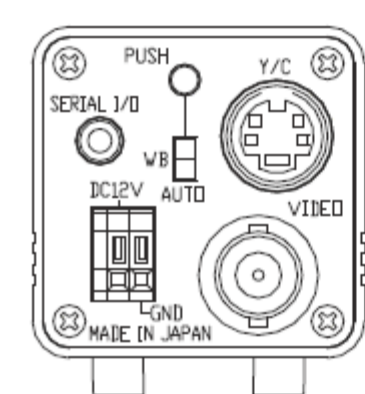
SBT Type

- BNC connector
- Terminal jack for AC adapter
- DC iris connector



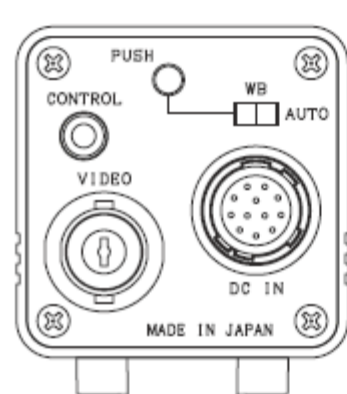
SCJ Type

- BNC connector
- Jack for AC adapter
- Y/C connector
- Push SW for P.W.B.
- Stereo jack for communications



SCT Type

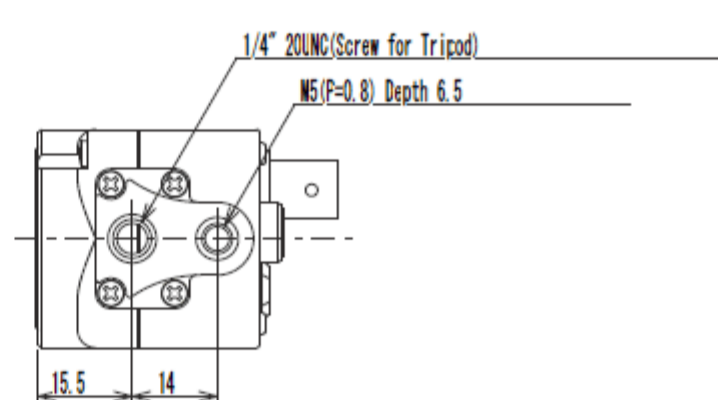
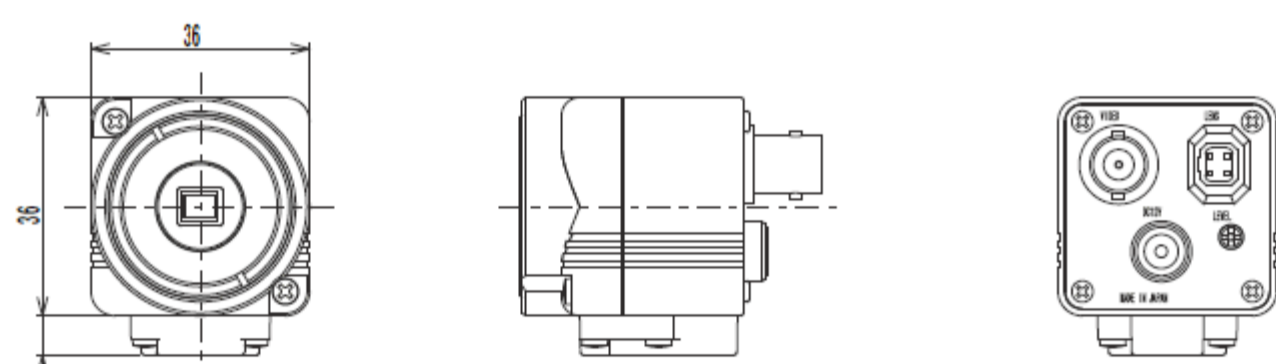
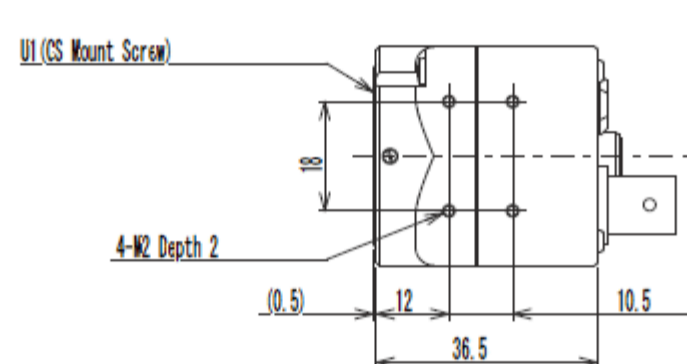
- BNC connector
- Terminal jack for AC adapter
- Y/C connector
- Push SW for P.W.B.
- Stereo jack for communications



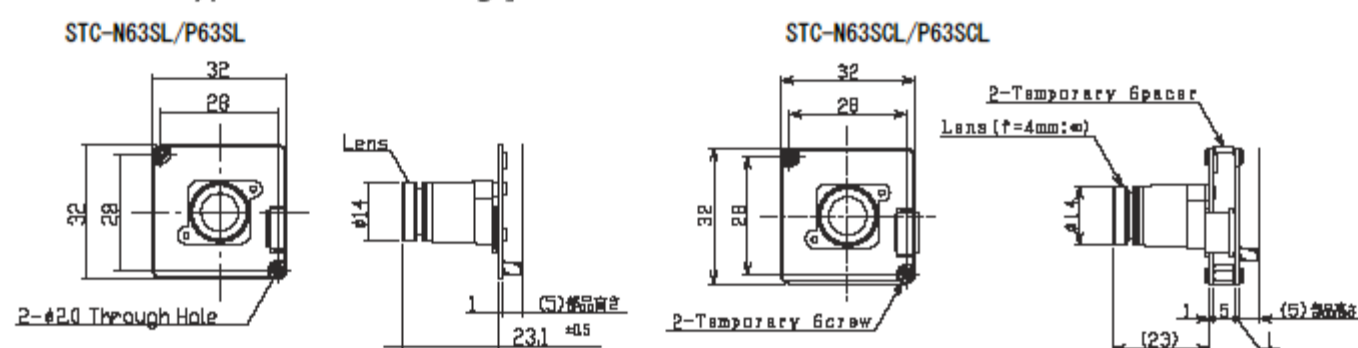
SCC Type

- BNC connector
- Hirose 12-pin connector
- Push SW for P.W.B.
- Stereo jack for communications

[Case Type Dimensional Outline Drawing]



[Fixed Lens type Outline Drawing]



[CS-mount Type Outline Drawing]

